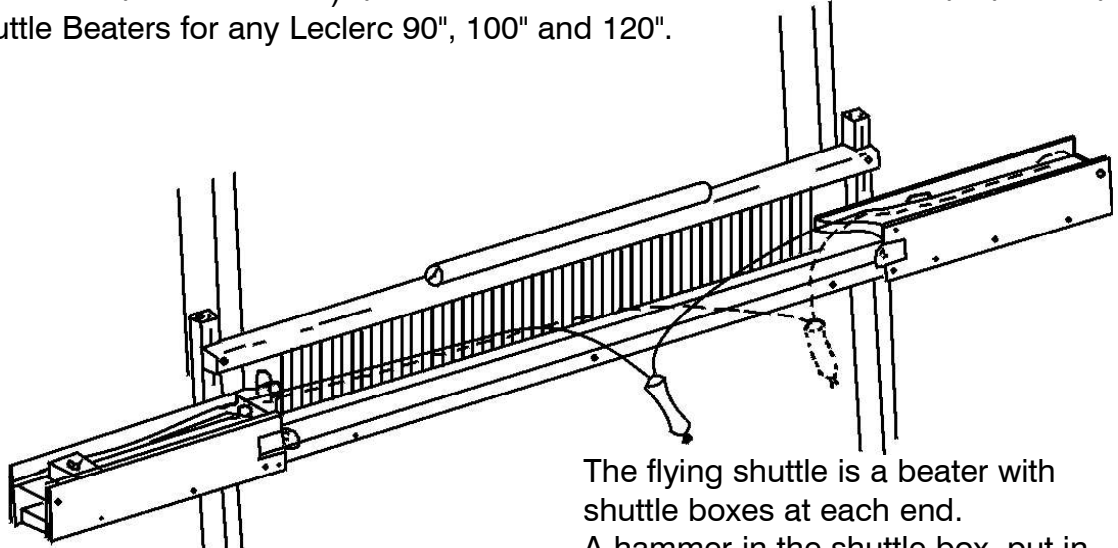


FLYING SHUTTLE BEATER

The flying shuttle beater is adaptable to any LECLERC loom 45" and 60" (115 and 150 cm) counter-balance models (as MIRA and FANNY), jack-type models (as NILUS, NILUS II, NILART and COLONIAL) and the new WEAVEBIRD MODEL. We can also make Flying Shuttle Beaters for any Leclerc 90", 100" and 120".



The flying shuttle is a beater with shuttle boxes at each end. A hammer in the shuttle box, put in motion by a cord and handle, strikes the shuttle, and sends it through the shed without the weaver touching it. Flying Shuttles are useful in weaving studios where long yardages are made. Time is saved in weaving wide fabrics where it is difficult to throw and catch the shuttle.

Includes one shuttle 6124-9000 and one doz of pirns 6124-7000

36"	6471-4000	1380.00
45"	6471-5000	1380.00
60"	6471-6000	1495.00
72"	6471-6072	1744.00
100"	6471-7000	1920.00

PROFESSIONAL Shuttle for Flying Shuttle Beater **6124-9000 299.00**



7" Pirns for Flying Shuttle
6124.7000 \$46.00/ 12

