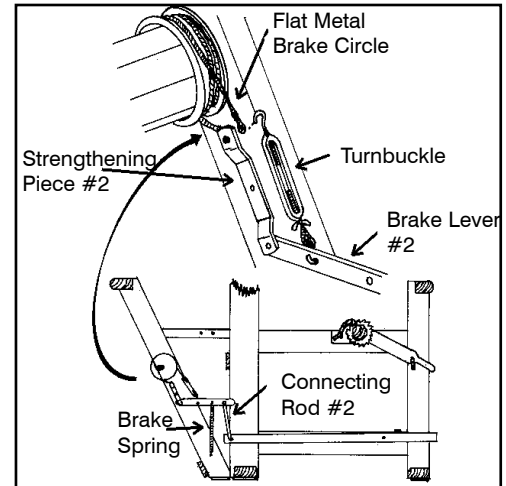
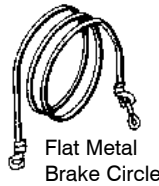
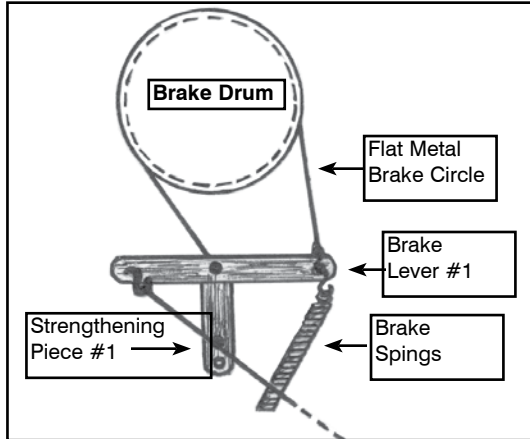


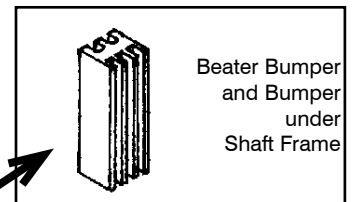
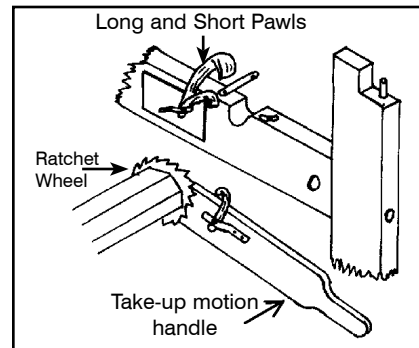
REPAIR PARTS



| | | |
|-----------|---------------------------------------------------------------------------------------------------|---------|
| 3000-4701 | Brake circle for most looms (Artisat, Mira, Fanny, Nilus, Nilus II Colonial Nilart and Weavebird) | \$35.00 |
| 1400-0000 | Brake Circle for Old Minerva / Meco & Dorothy ... | \$31.00 |
| 1400-0001 | New brake cable Dorothy, Voyageur..... | \$31.00 |
| 1400-0002 | New brake cable Compact | \$31.00 |
| 3000-5884 | Brake spring | \$14.00 |
| 4720-0000 | Brake lever #1 (4") | \$ 9.00 |
| 4720-0001 | Brake lever #2(9.75") | \$19.00 |
| 4719-0000 | Stre. piece #1 | \$13.00 |
| 4779-0000 | Stre. piece #2 | \$13.00 |
| 4789-0000 | Connecting rod#2 | \$17.00 |
| 5874-0000 | Turnbuckle | \$17.00 |
| 1113-0000 | White Pulley with screw | \$4.00 |

TAKE-UP MOTION WITH RATCHET PAWL:

| | | |
|-----------|--------------------------------------------------------------------|---------------|
| 1022-2802 | For Compact 24" (NEW) | \$49.00 |
| 1009-2802 | For Artisat 36" | \$70.00 |
| 3672-0000 | For Mira, Fanny, Nilus and Nilus II Colonial, Nilart and Weavebird | \$112.00 |
| 4170-0000 | Take-up motion handle support | \$10.00 |
| 3060-0000 | Ratchet Pawl for take-up motion handle | \$37.00 |
| 3070-0000 | Long ratchet pawl for cloth beam | \$45.00 |
| 3071-0000 | Short ratchet pawl for cloth beam | \$43.00 |
| 3080-0000 | Ratchet wheel for cloth beam | \$95.00 |
| 3000-9229 | Beater Bumper (set of 2) | \$ 7.00 each |
| 3000-9233 | Bumper under shaft frame 4s loom | \$ 10.00 each |
| 3000-9230 | Bumper under shaft frame 8s loom | \$ 12.00 each |
| 2402-0000 | Ratchet wheel Dorothy Voyageur | \$ 52.00 each |
| 3020-0000 | Plain Wheel for front or back beam | \$ 77.00 |
| 2402-0000 | Ratchet Wheel Dorothy, Voyageur | \$52.00 |
| 3030-0000 | Brake drum Mira, Fanny, Nilus, Nilus II, Colonial and Nilart | \$209.00 |
| 3110-0000 | Brake drum for Artisat | \$209.00 |



0342-7101 Polyvinyl non-skid base for floor looms \$ 5.00 each

