

**COMPACT 24”
KIT 8 shaft
1023-0000**



1573 Savoie
C. P. 4
Plessisville, Qc.
G6L 2Y6

TEL: 819-362-7207
FAX: 819-362-2045

www.leclerclooms.com
info@leclerclooms.com

On receiving the kit, unpack and lay out the loom components.

Do NOT discard any packing material until all parts are inventoried.

Check the parts received against the parts list on pages #2 of the assembly instructions. Report any discrepancies to Leclerc immediately.

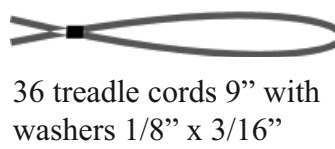
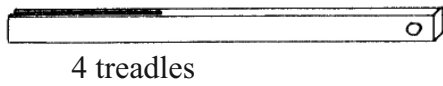
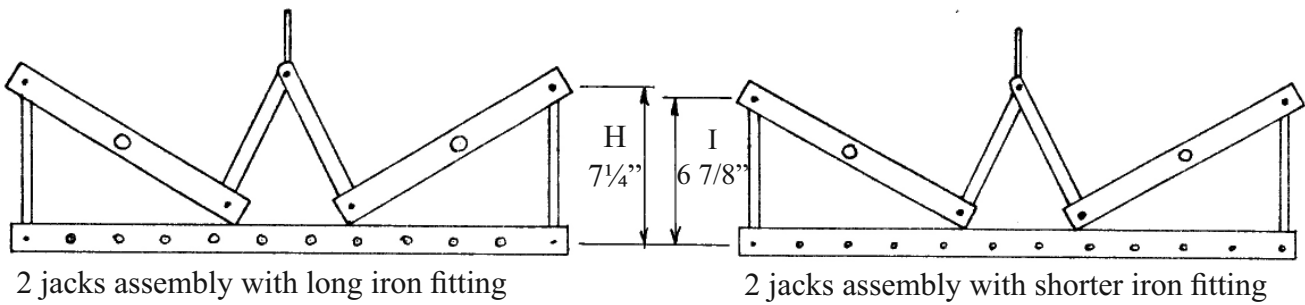
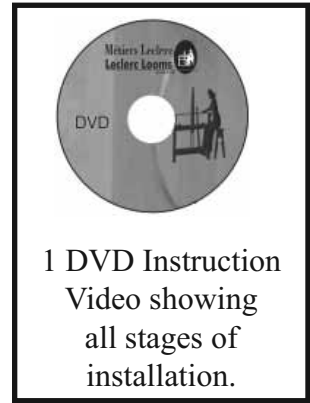
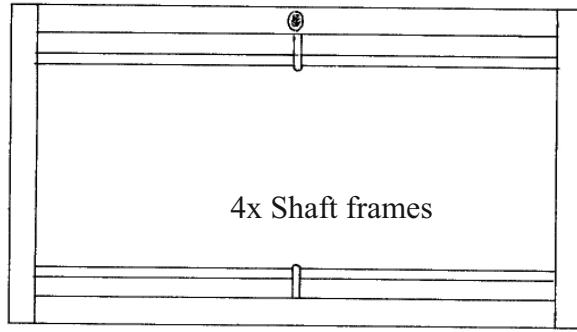
When we talk about right or left hand side parts, and front or back parts, it always refers to an upright loom seen from the front position.

The beater is not illustrated but it may remain on the loom during the conversion.

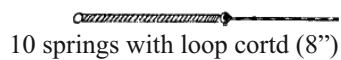
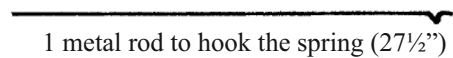
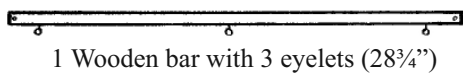
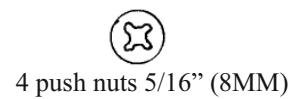
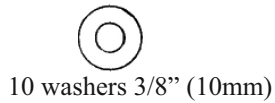
To assemble this loom, a minimum of 2 people are needed.

Loom Prepared by: _____
Inspected by: _____
Date: _____

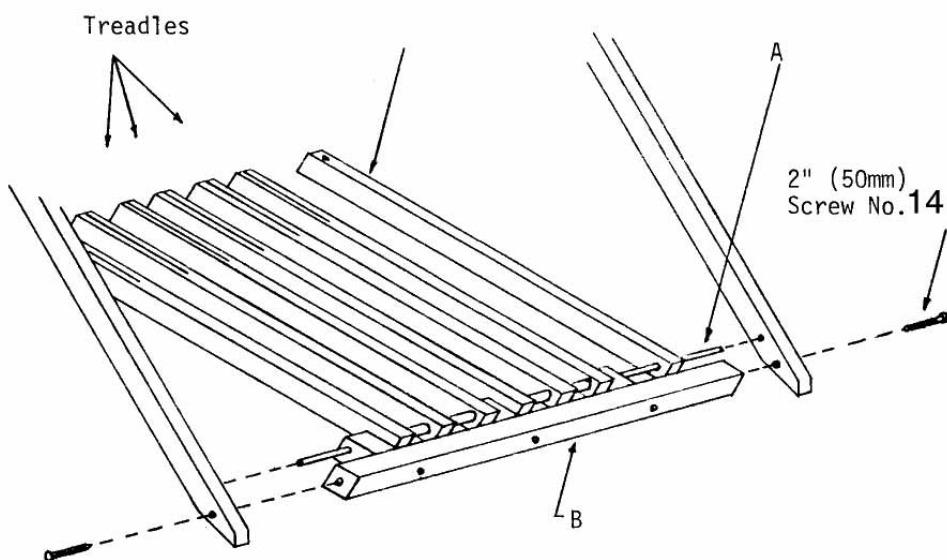
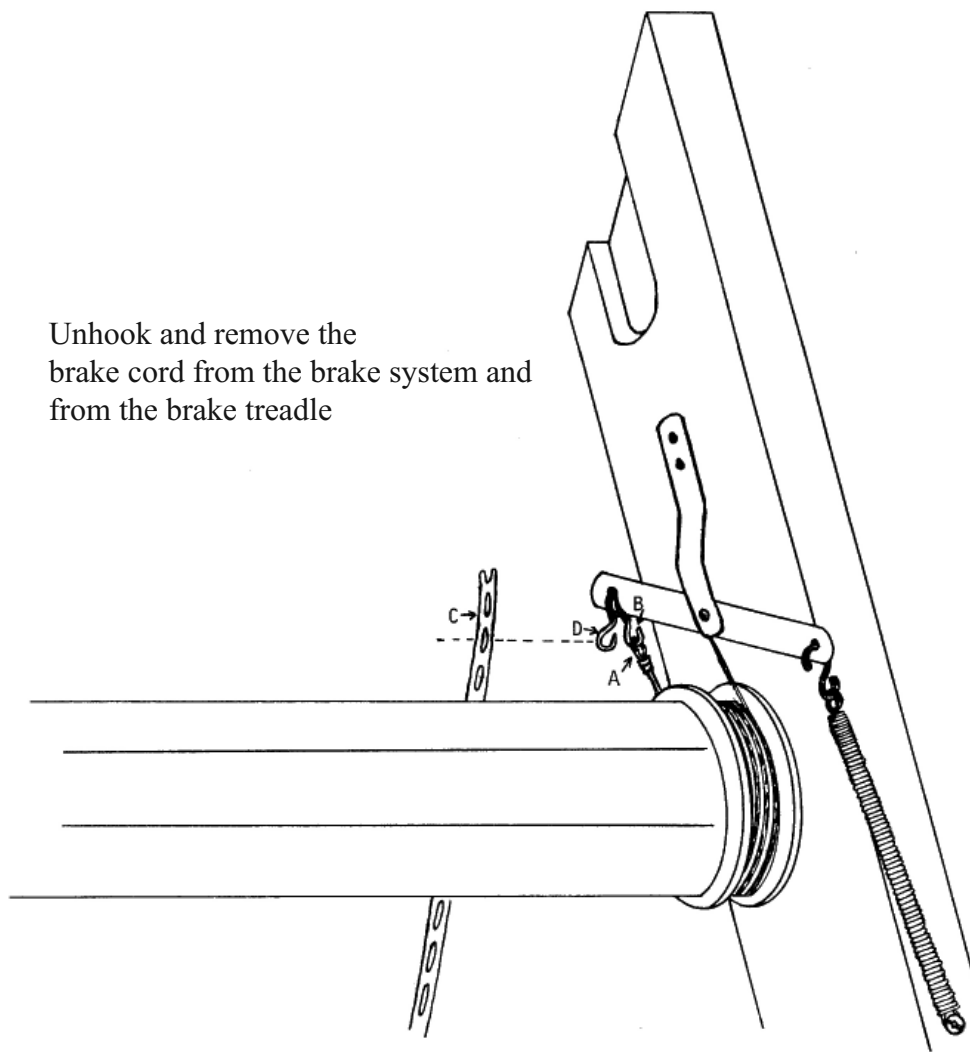
PARTS AS SHIPPED



Note for Leclerc in French :
Enfiler les rondelles 3/16" dans chaque cordes et attacher par paquet de 12 cordes.



Unhook and remove the
brake cord from the brake system and
from the brake treadle



Remove the two (2) (50mm)
round-headed screws No.
14 that hold the treadle
cross-member B, and spread
the two (2) front legs out
in order to disengage the
treadle rod C. Remove the
treadle set.

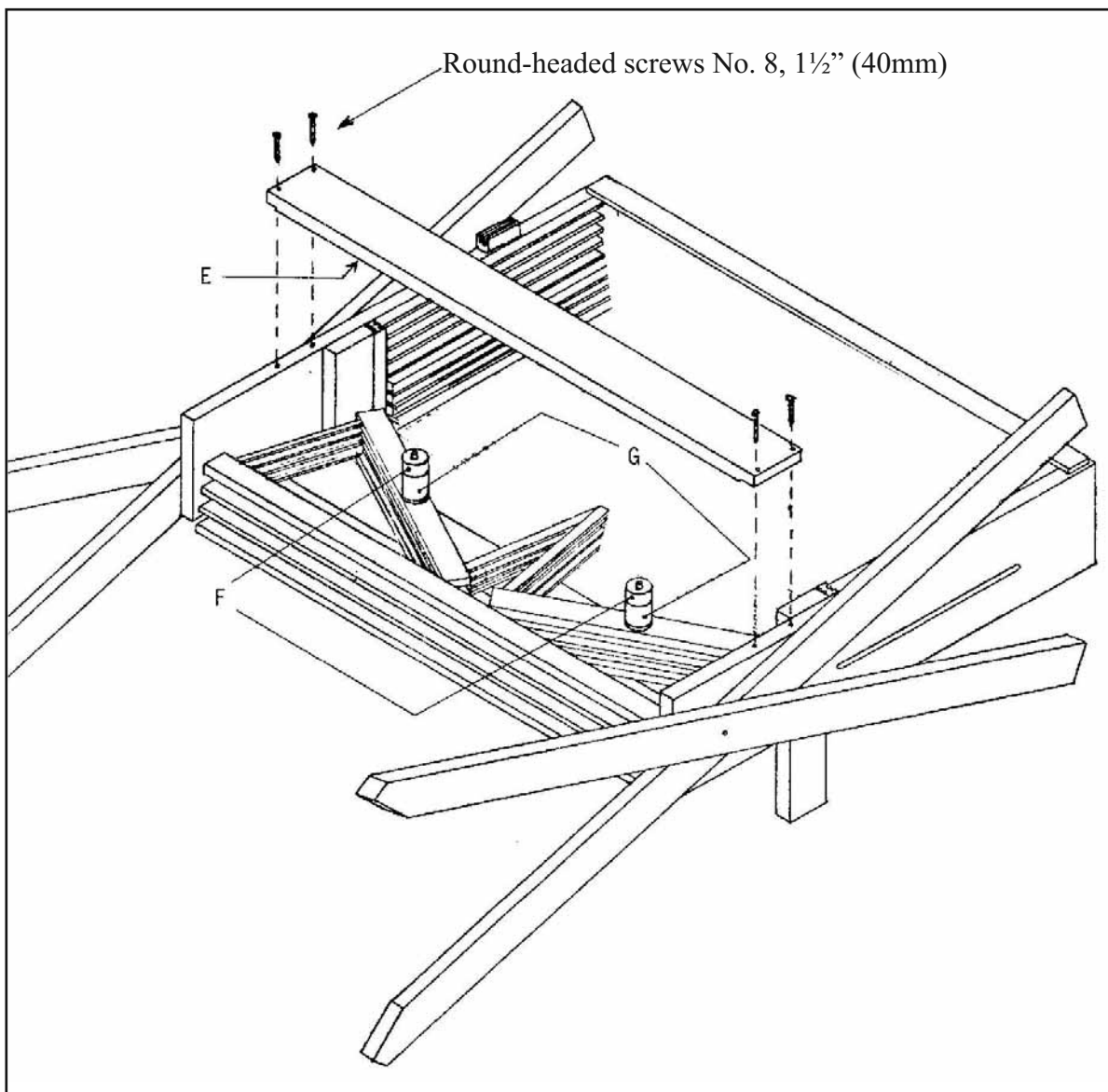
Remove all shaft frame from the loom and all treadle cords from the jacks

Fold the loom and lay it down on its front breast beam.

Remove the four 1½" (40mm) round-headed screws No. 8 that hold the rear jack box board E and remove the board.

Take off the two (2) round pieces of wood (short) F' and the two (2) round pieces of wood (long) G. Save the long round pieces of wood for the treadle set.

Remove jacks 1 to 4 still on the loom noting that the jacks no 1 and 2 are not the same as the jack no 3 and 4. Put them on the side jacks 1 and 2 together and jacks no 3 and 4 together.



Over the years we produced 2 different type of jacks.

The right hand side and the left hand side.

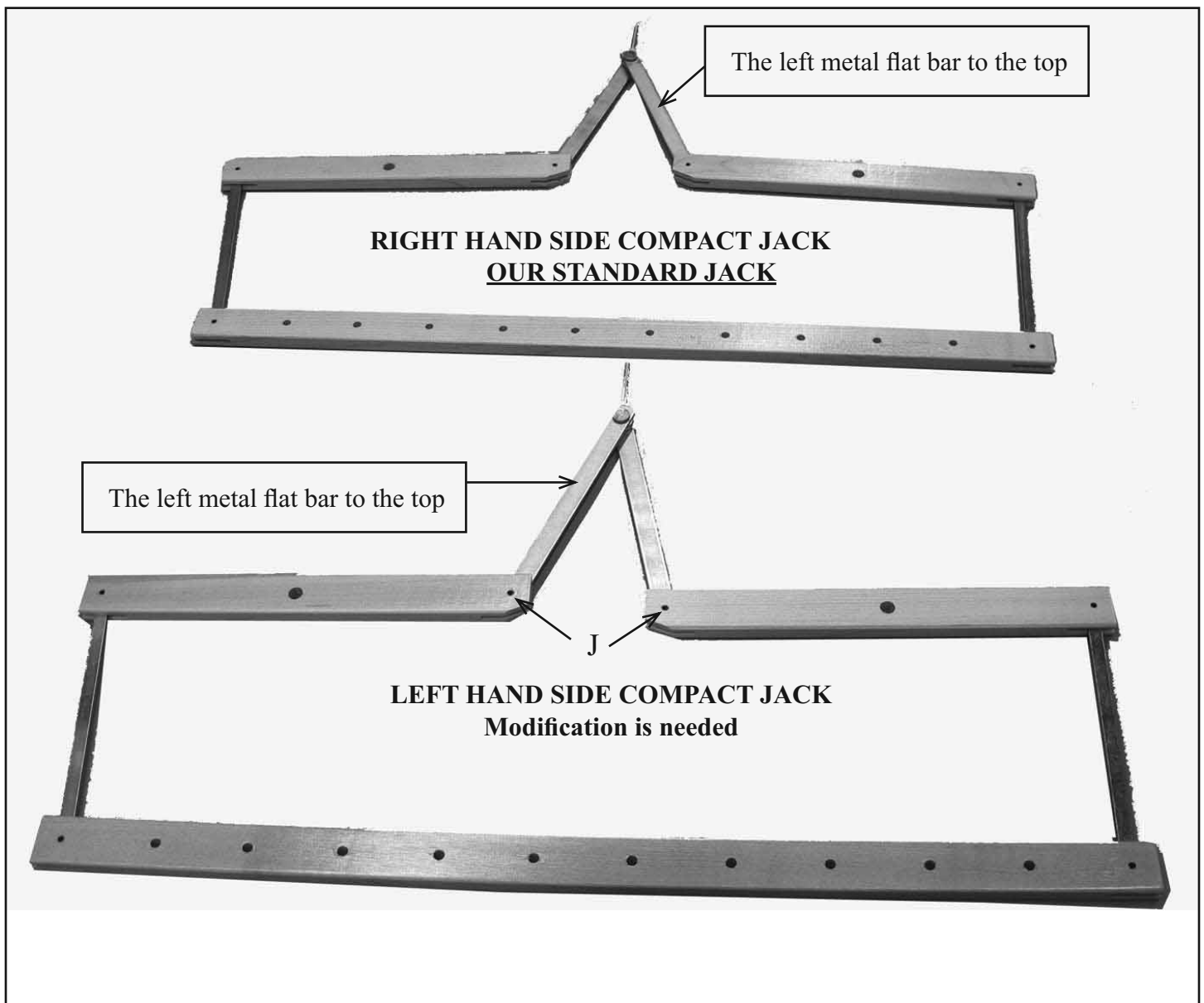
The right jacks have the top flat metal bar to the right when flat on the floor (OUR STANDARD).

The left jack which have the left flat iron on the top (a few unit only are like this)

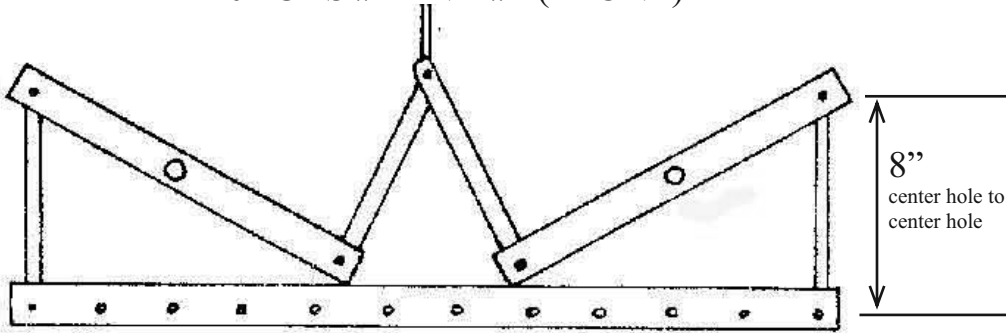
The jacks of this kit is as our standard so the RIGHT HAND SIDE JACKS)

If your jacks are LEFT hand size, you will have to rotate the V shape flat metal part by removing the spring pins at the joint “J”

It is also preferable to have the rivet on the top of the jack always to the right side (for all 8 jacks)

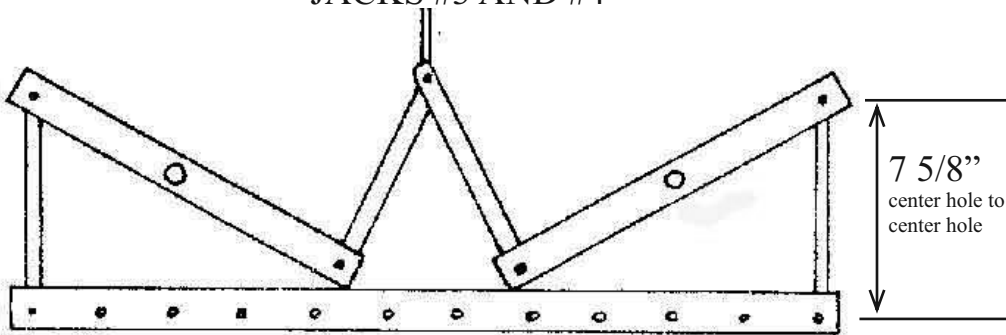


JACKS #1 AND #2 (FRONT)

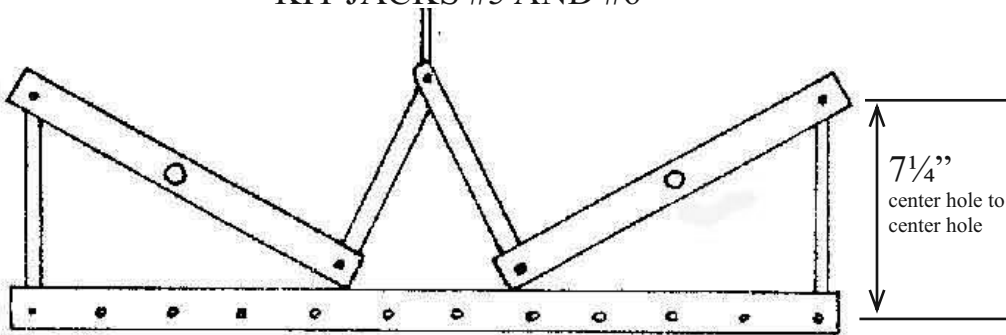


Make sure to identify and place correctly the right jack to the right order.

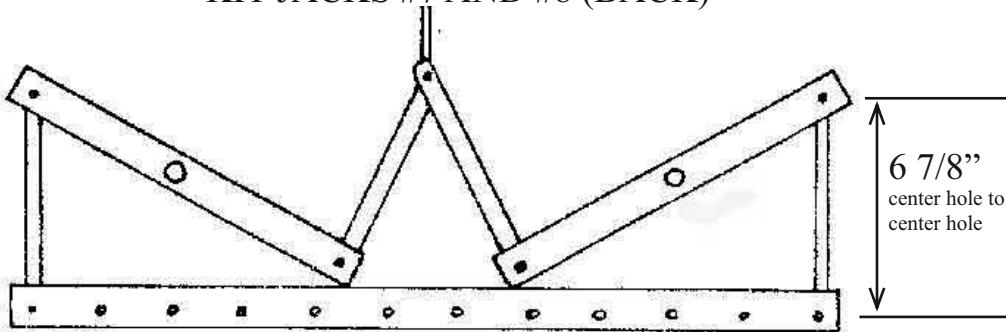
JACKS #3 AND #4

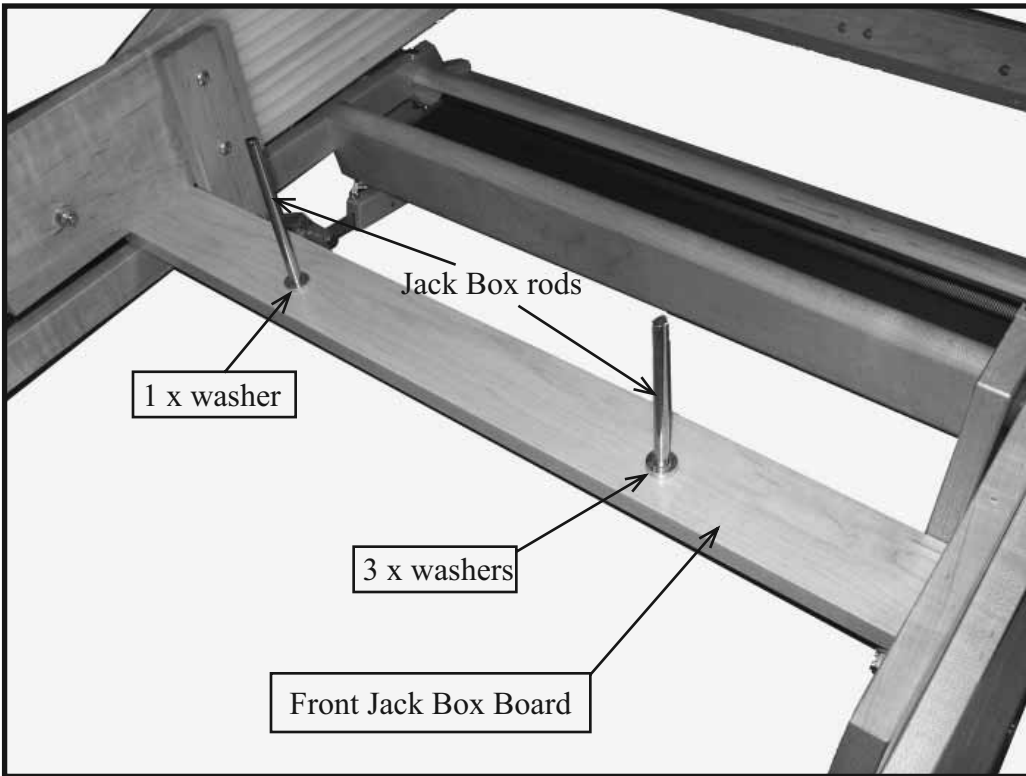


KIT JACKS #5 AND #6

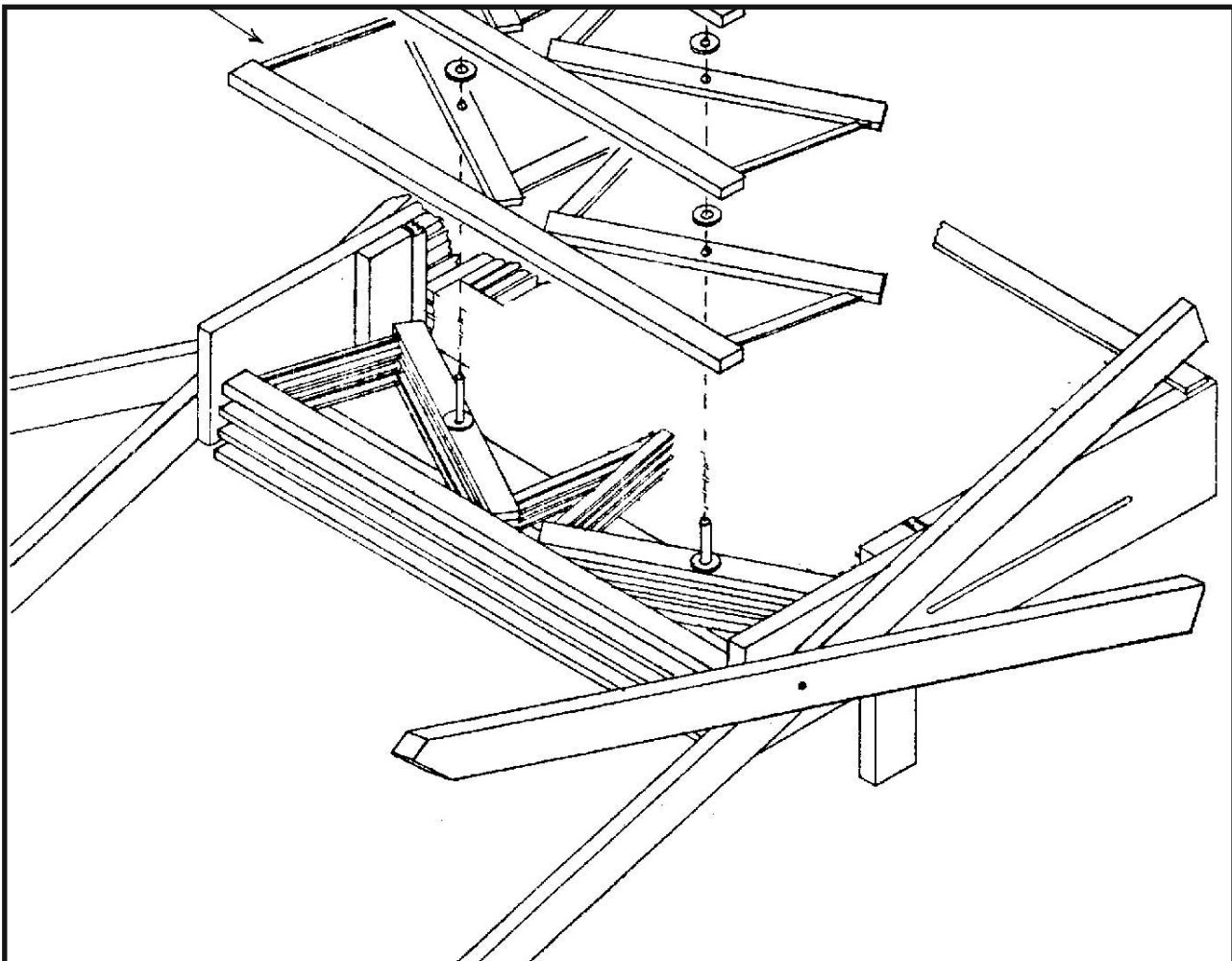


KIT JACKS #7 AND #8 (BACK)

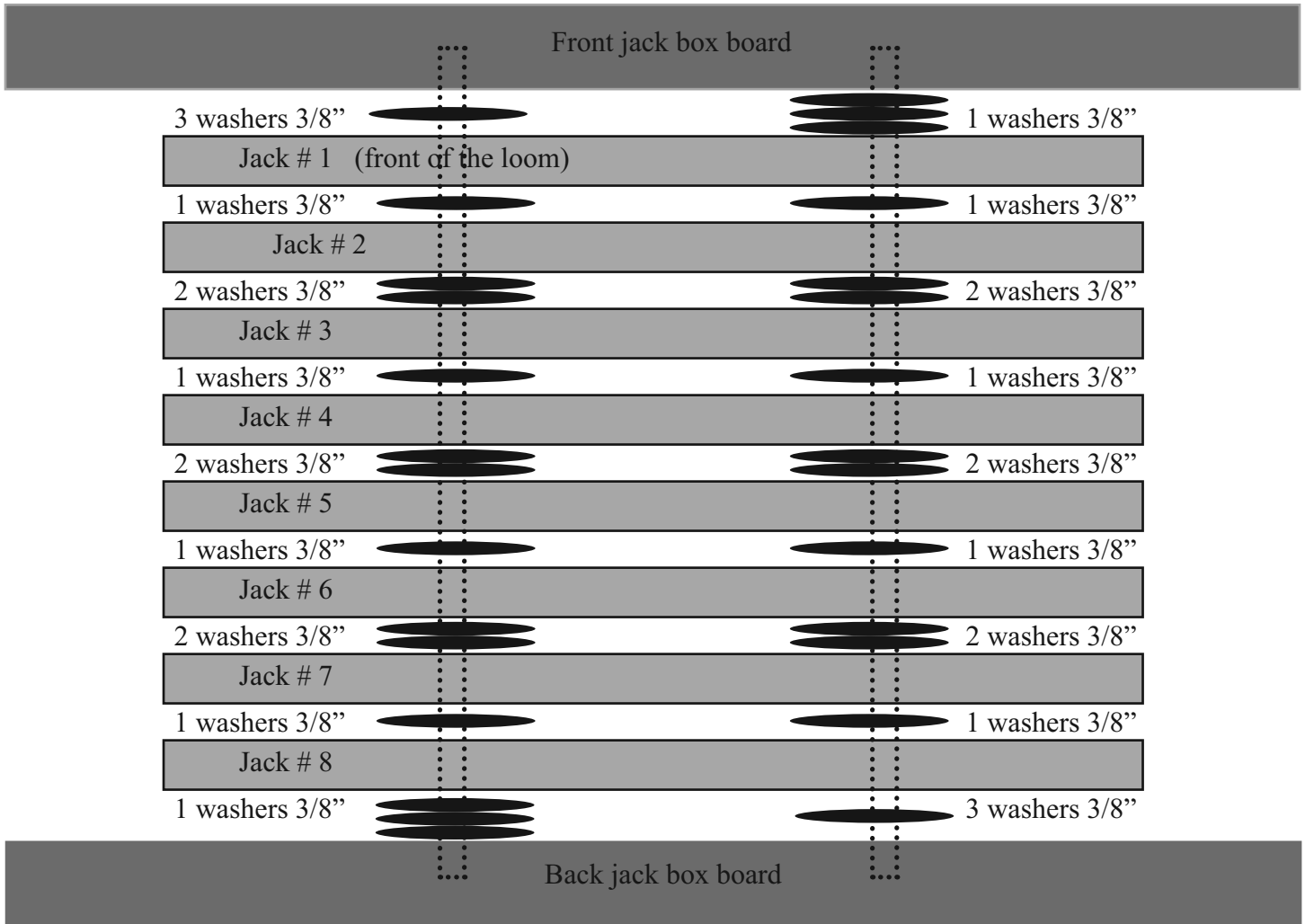


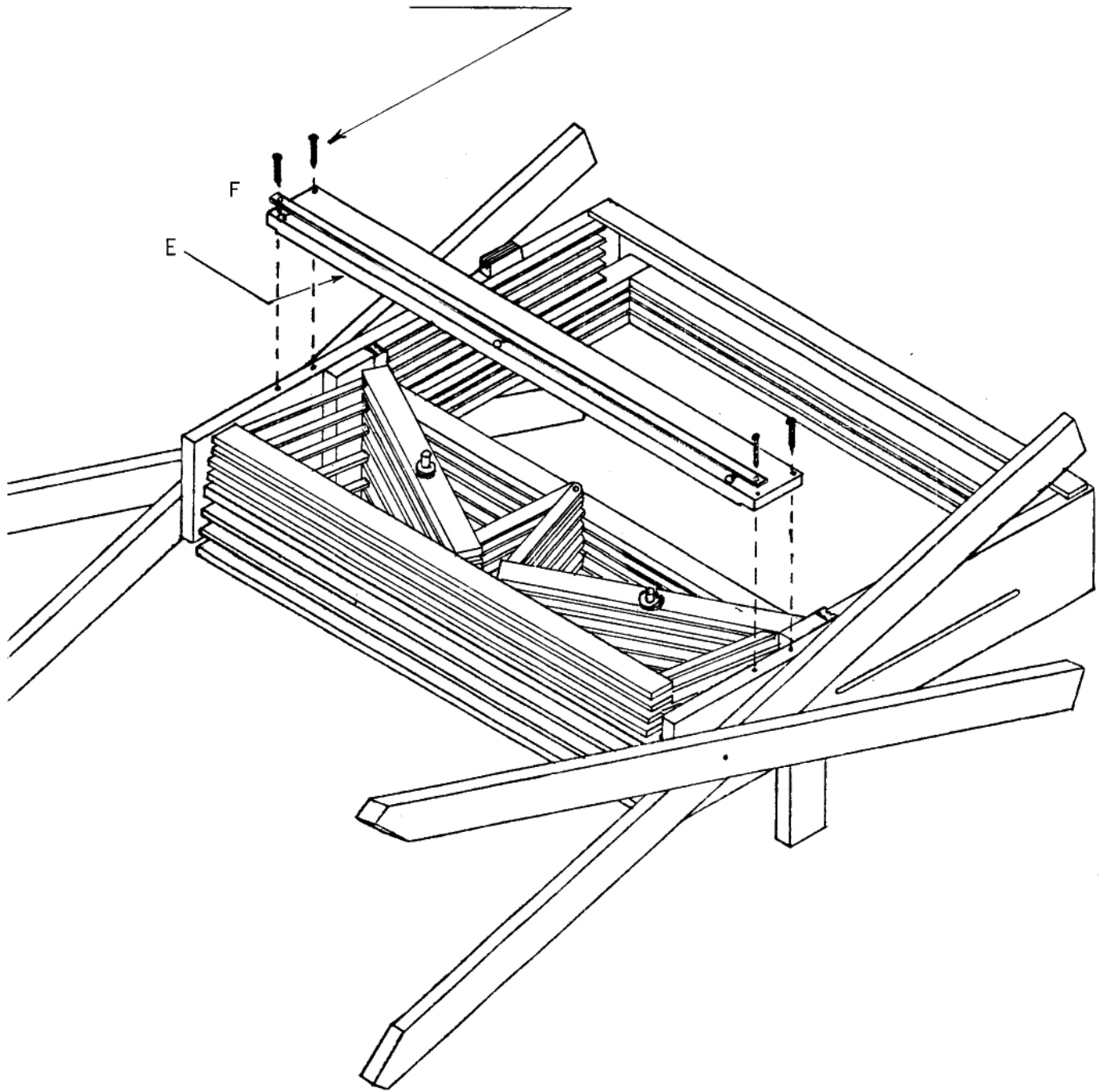


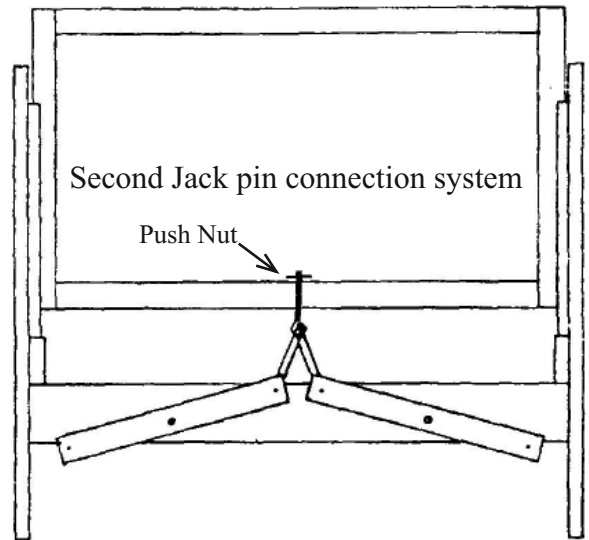
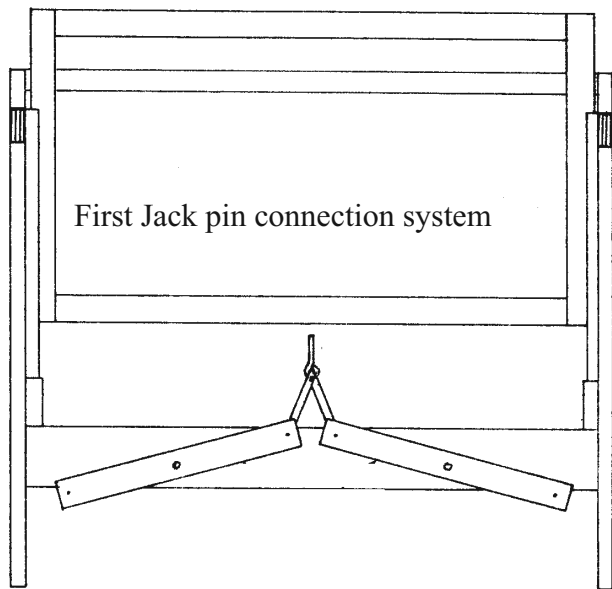
Place successively the 28 x 3/8" washers and the 4 sets of jacks following the drawing on next page.



JACKS IN THE JACK BOX







Over the years, there have been 3 different type of connection between the jack pin and the shaft frame. Make the connection according to the system you have for shaft #1 to 4 and following the Present system for shaft #5 to 8.

For the Present system, we strongly recommend that you have those nuts installed at all times.

TO INSTALL HEDDLES:

Disconnect the center of both heddle supports of a shaft frame and take it out of the end frame by bending it. For more information, see the book supplied with the loom "Warp & Weave".

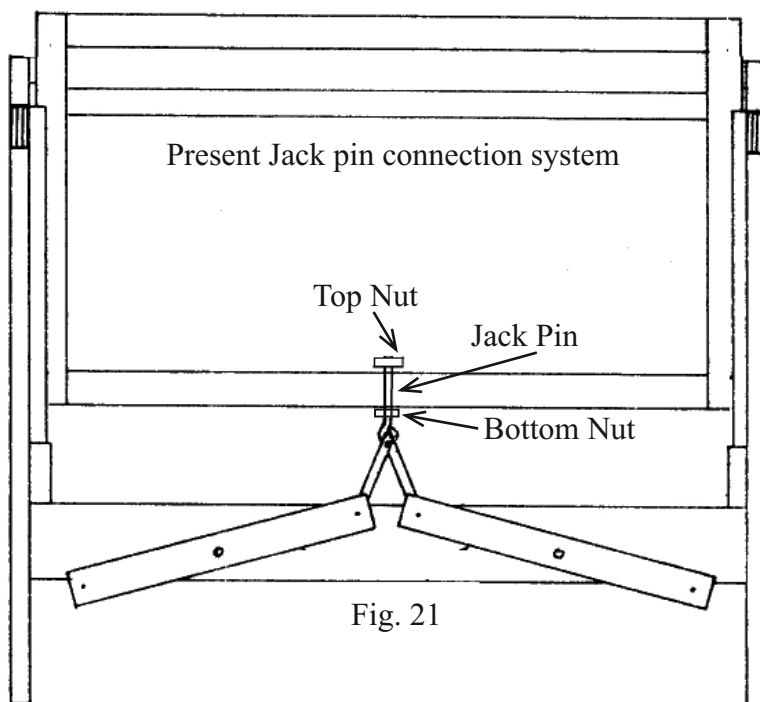
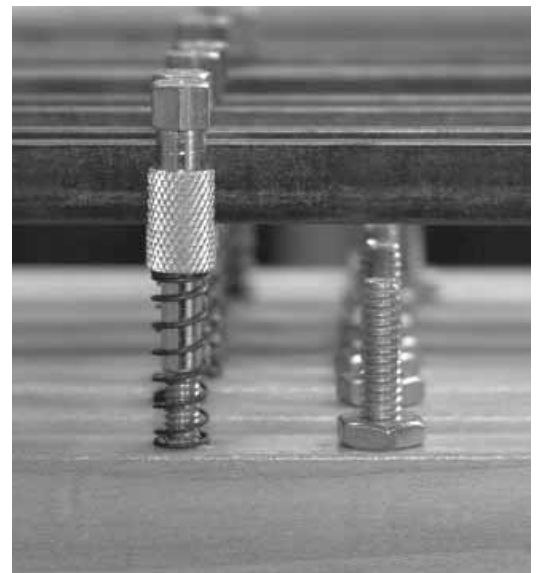
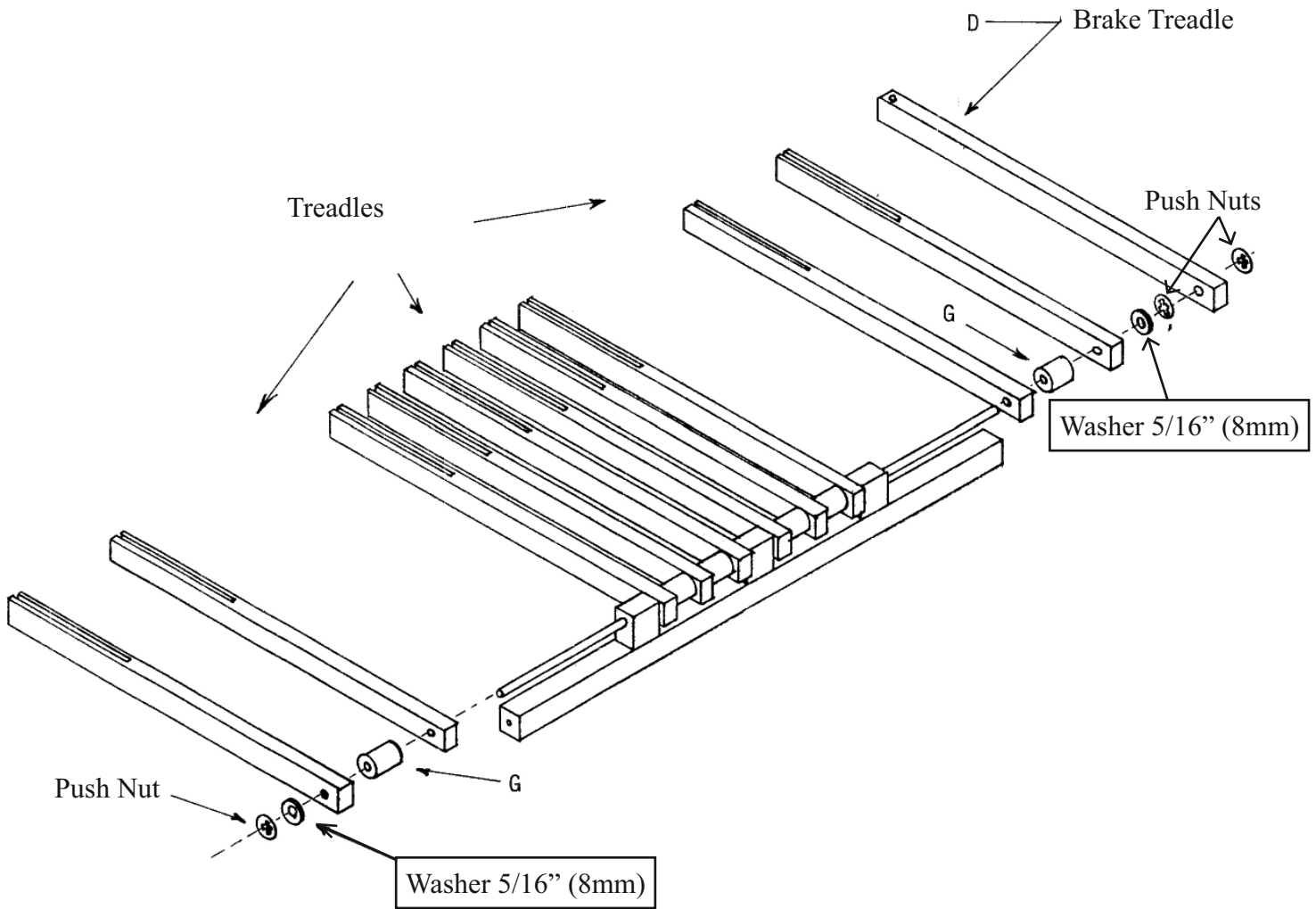


Fig. 21



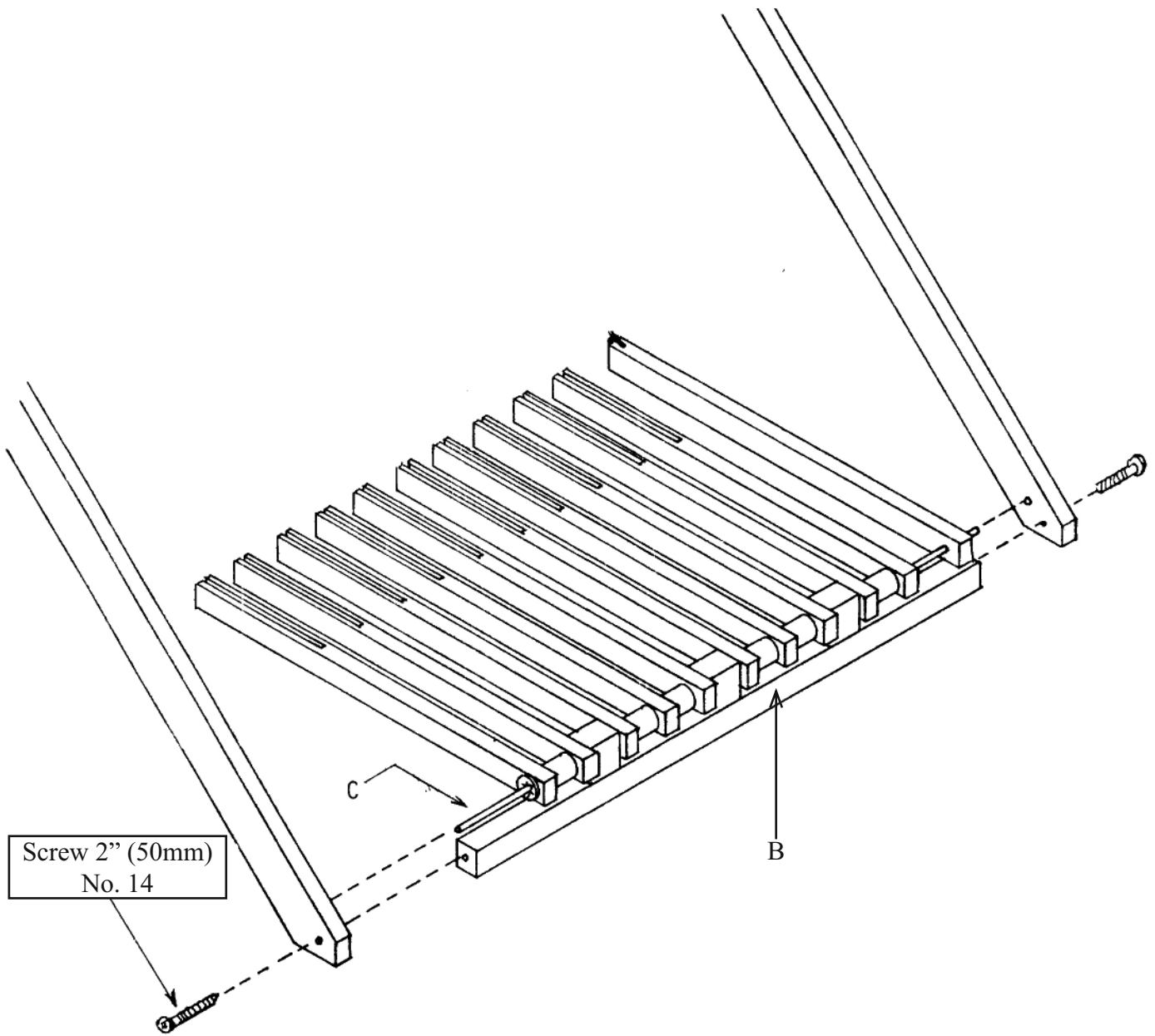


Assemble the treadle set. The brake treadle must be on the right side.

Put one push nut on the left side of treadle no 10 and one after the washer on the right side of treadle no. 1.

Put one push nut each side of the treadle brake to fix it in the middle of the space between treadle No. 1 and the frame post.

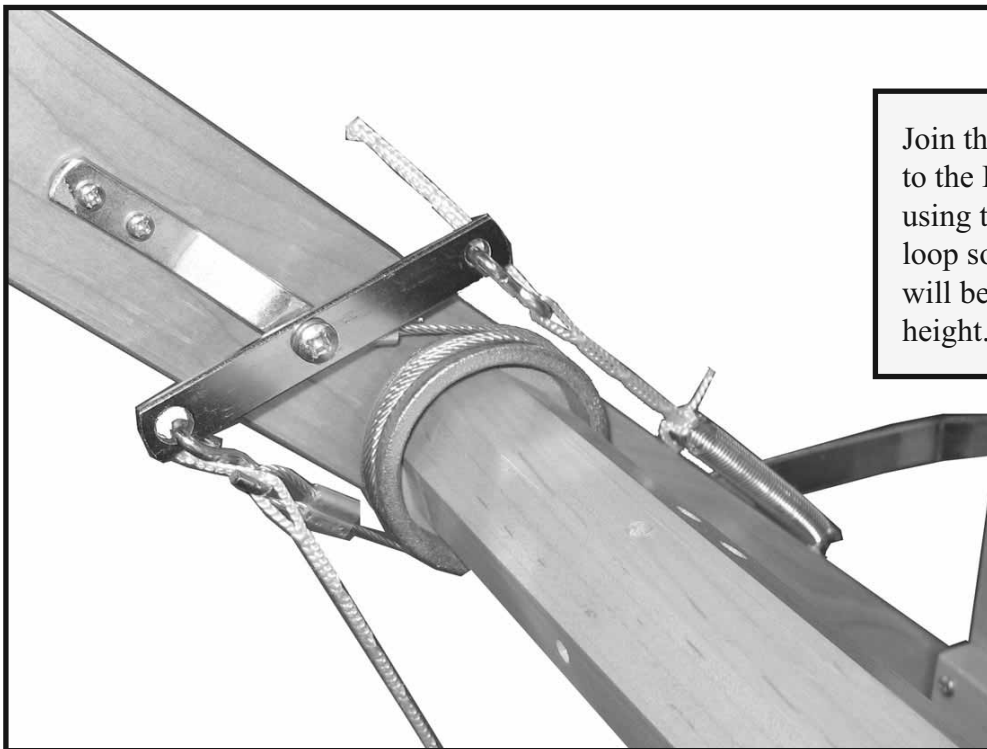
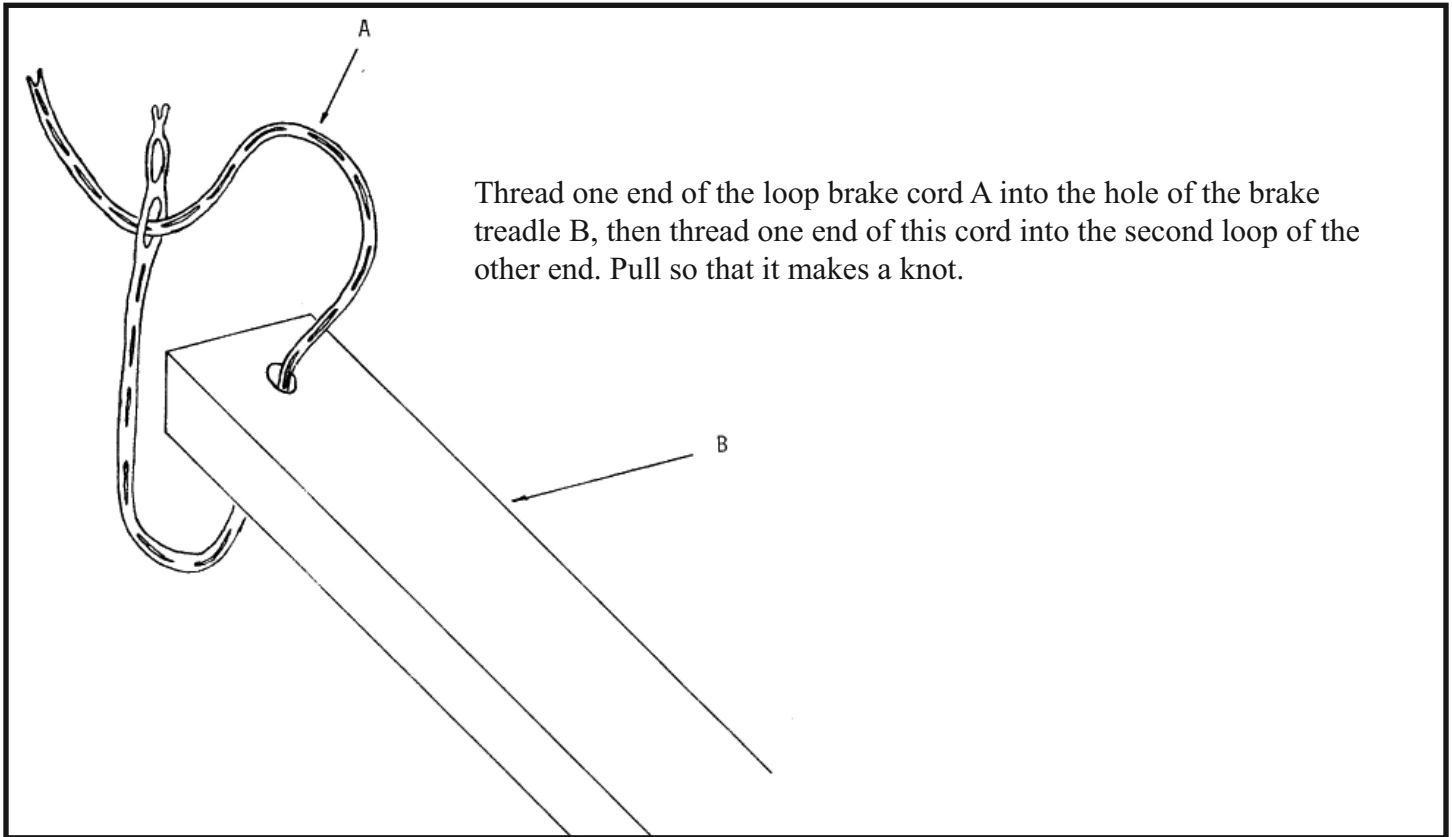
Note: The treadle spacers “G” are the long round pieces of wood from the old jack box.



Place the treadle set between the two (2) front legs by spreading them out slightly, so that the ends of the treadle rod C fit between the legs.

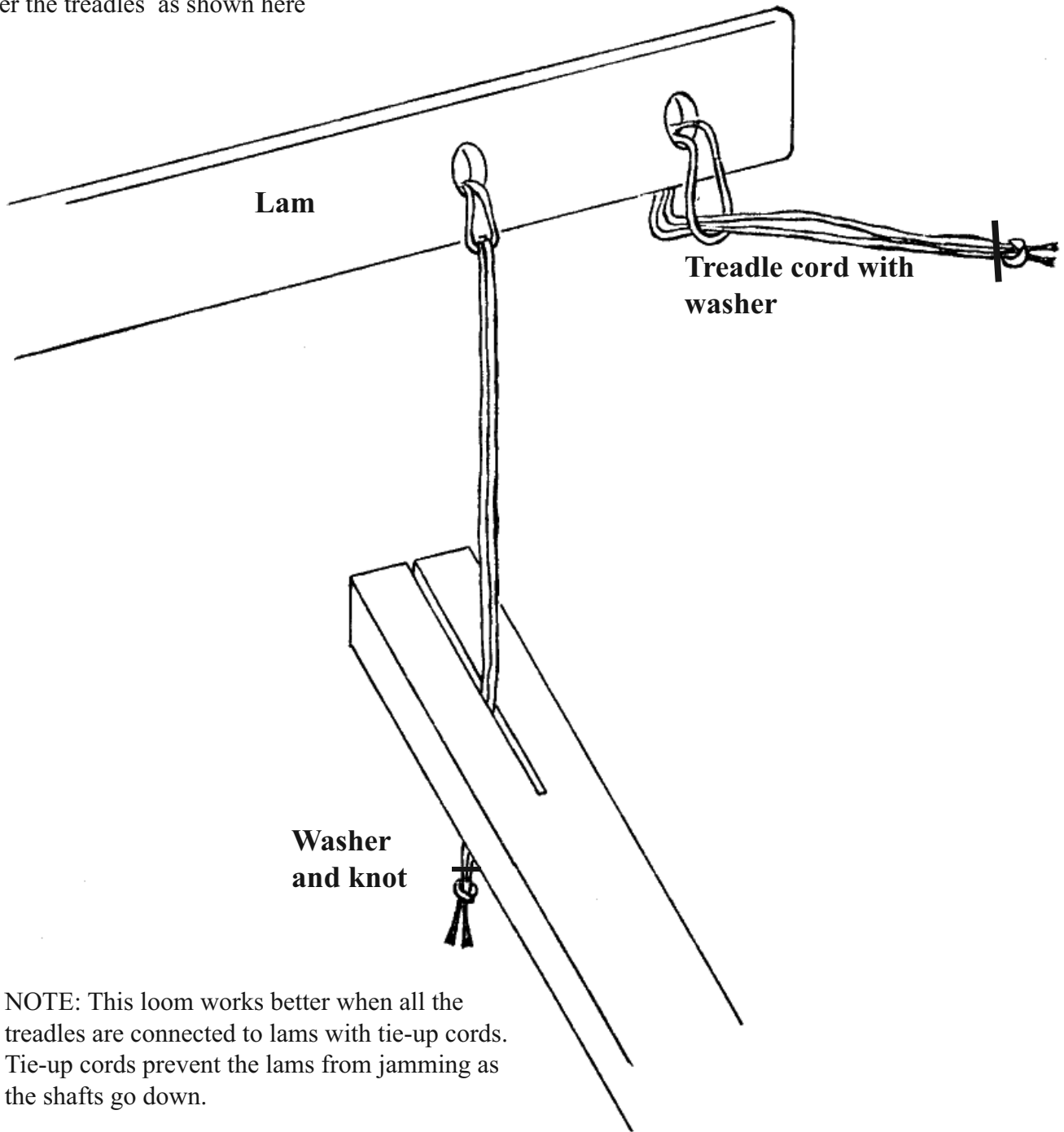
Fix the treadle cross-member B with two (2) (50mm) round-headed screws No. 14.

Brake treadle



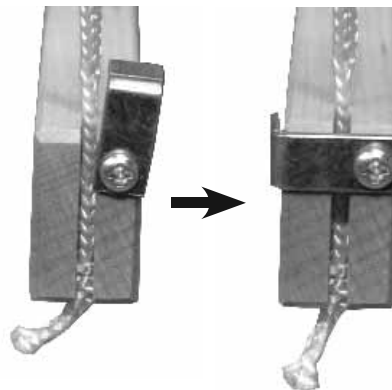
Join the brake loop cord to the Back “S” hook using the best possible loop so the brake treadle will be at the desired height.

Install treadle cords with the washers under the treadles as shown here



NOTE: This loom works better when all the treadles are connected to lams with tie-up cords. Tie-up cords prevent the lams from jamming as the shafts go down.

Following each tie-up, close the gate at the end of each treadle.



SPRING KIT

When more than 6 treadles are connected to the lams, the weight of the treadles can lift the shaft frames up or make the movement down very difficult.

To correct this you will have to install springs that will support the weight of each treadle.

Unscrew the 2 lower screws from the back jack box.

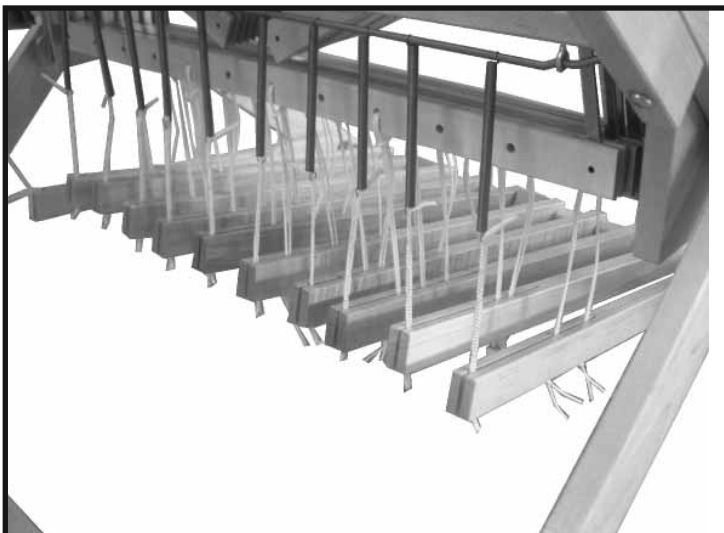
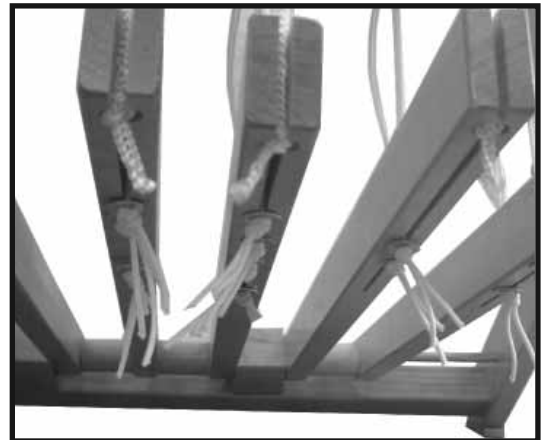
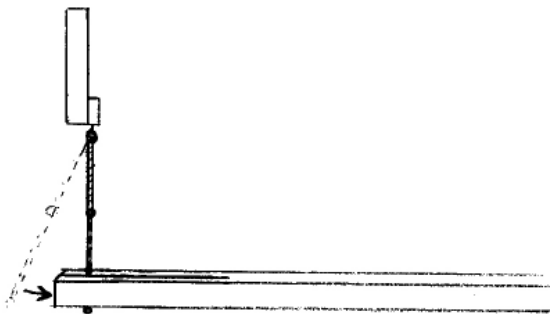
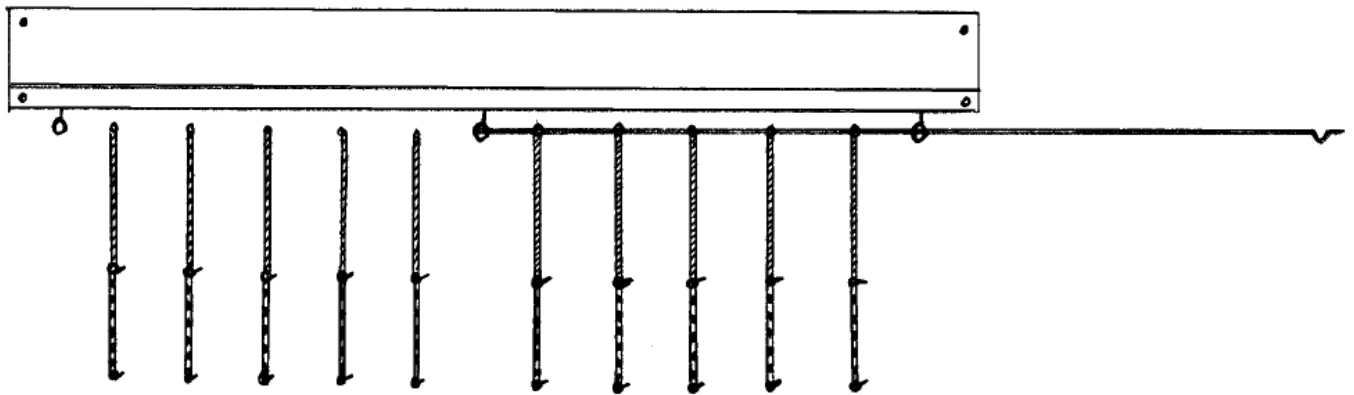
Put the Wooden board with the 3 eye screws on top of the jack box board and screw it in using the same screws. Insert the metal rod into the eyelets and place the springs between them as illustrated below.

Slide the rod until the notch is at the first eyescrew .

Make a loop cord knot so the length of the spring with the loop cord will hold the weight of the treadle.

Slide the loop cord end (knot) under each treadle. The length of the treadle spring loop cord has been preset but it is possible that you will have to change the position of the knot if the cord becomes too loose or if the treadle is too high.

It is preferable to always have a small amount of tension on the treadle spring when the treadle in the up position.



To fold the loom, release the tension by pressing the brake treadle, then loosen the plastic handles on each side of the loom and pull these upward. Tighten the handles.

The loom can fold even with fabric on it.

MAINTENANCE:

In order to get the maximum efficiency from your loom, we recommend you periodically spray a lubricant (silicone) on the plastic slides on each side of the loom.

We at Leclerc encourage Weaver feedback on this and all our products. Please send your comments to Leclerc Loom Co.

HAPPY WEAVING

