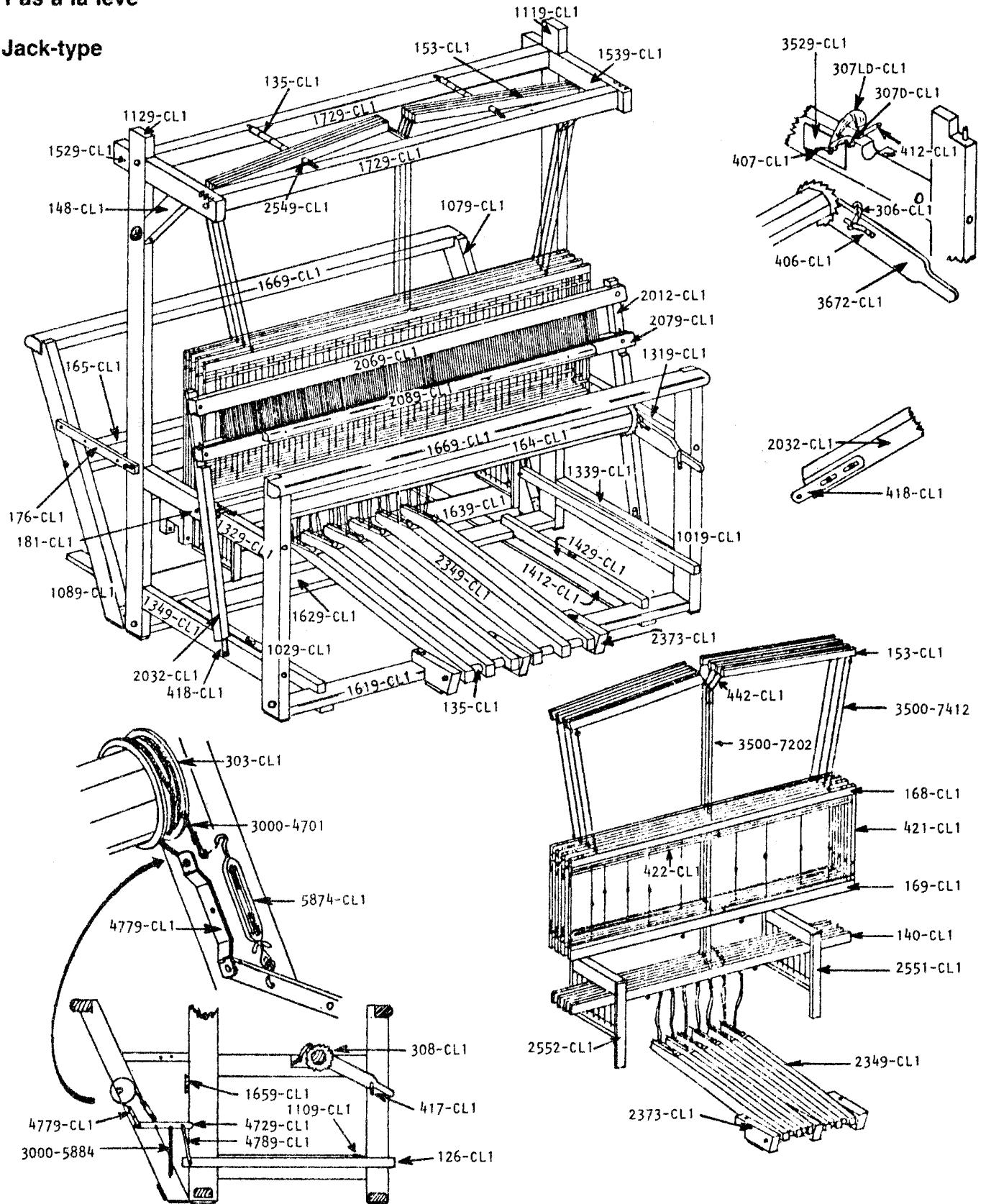


COLONIAL I

Pas à la lève

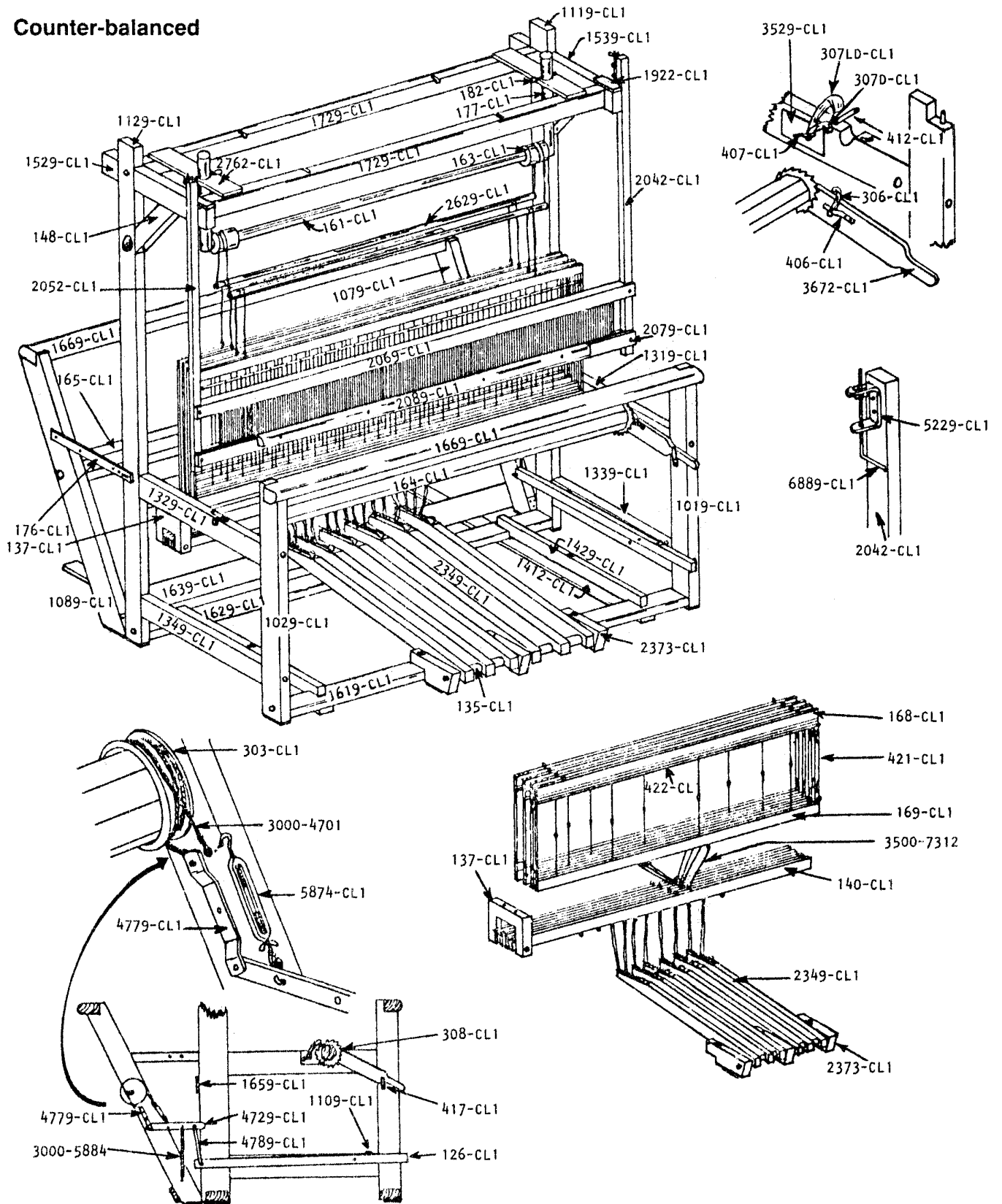
Jack-type



COLONIAL I

Contre-balancé

Counter-balanced



COLONIAL I Jack 4, 8 or 12s Jack, 4s C.-B. 45" or 60"

WOOD

1119-CL I	Right upright post (w/o batten sword)
1129-CL I	Left upright past (w/o batten sword)
1539-CL I	Right batten support
1529-CL I	Left batten support.
148-CL I	Strengthening piece for batten support
1729-CL I	Upper cross-member (front or back)
1019-CL I	Right front post
1029-CL I	Left front post
1079-CL I	Right back post (w/o beam latch)
1089-CL I	Left back post (w/o beam latch)
1319-CL I	Right upper lateral crass-member
1329-CL I	Left upper lateral crass-member
1339-CL I	Right lower lateral. cross-member
1399-CL I	Left lower lateral cross-member
1619-CL I	Treadle set cross-member
1629-CL I	Middle lower cross-member
1639-CL I	Lower cross--member connecting back posts
1659-CL I	Middle cross-member connecting upright posts
1669-CL I	Breast or thread beam
164-CL I	Cloth beam w/ wheels & canvas apron
165-CL I	Warp beam with wheels
2012-CL I	Right batten sword + iron-fitt. (low. fix. beater)
2032-CL I	Left batten sword + iron-fiat. (low. fix. beater)
2092-CL I	Right batten sword (overhead beater)
2052-CL I	Left batten sward (overhead beater)
2069-CL I	Batten handtree
2079-CL I	Batten sley
2089-CL I	Shuttle. race
2762-CL I	Horizontal roller support C.-B.
177-CL I	Vertical roller support C.-B,
182-CL I	Adjustment peg for vertical taller support C.-B.
161-CL I	Upper roller (w/ sockets) C--B.
2629-CL I	Lower roller (with plastic pulleys) C.-B.
163-CL I	Upper roller socket C.-B.
153-CL I	Jacks (pair, assembled) Jack-type
135-CL I	Jack spacer Jack-type
2549--CL I	Jack spacer (short) jack-type
168-CL I	Harness upper part
169-Ch I	Harness lower part
140-CL I	Floating lam
2551-CL I	Right lam divider Jack-ty
2552-CL I	Left lam divider Jack-type
137-C1 I	Lam support C.-B.
2373-CL I	Treadle set support
2349-CL I	Treadle
135-CL I	Treadle space
0-2329-CL I	Treadle set board (4 harnesses)
1-2329-CL I	Treadle set board (8 harnesses)
2-2329-CL I	Treadle set board (12 harnesses)
1922-CL I	Stoppers for overhead beater (pair)
181-CL I	Stop peg for lower fixed beater
3529-CL I	Board to center ratchet pawls
3672-CL I	Take--up motion handle with ratchet pawl
126-CL I	Brake treadle

COLONIAL I Jack 4, 8 or 12s Jack, 4s C.-B. 45" or 60" (cont.)

175-CL I	Hook to fold back of the loom
821-CL I	Tip-proof stabilizers (pair)
1412-CL I	Stabilizing board
1429-CL I	Clamping member for stabilizing board
1900-CL I	Right stabilizing post
2800-CL I	Left stabilizing post
205--CL I	Cross--member connecting stabilizing posts

METAL

4249-CL I	Spring clip for harness frame end
422-CL I	Heddle support
55-CL I	Spring hook for heddle support
423-CL I	Hook for heddle support
427-CL I	Hook for harness frame
482-4-CL I	Treadle set axle rod (4 harnesses)
482-8-CL I	Treadle set axle rod (8 harnesses)
482-12-CL I	Treadle set axle rod (12 harnesses)
416-CL I	Treadle spring (with snap bowie)
425-CL I	Support rod for treadle springs
406-CL I	Strengthening piece for take-up motion handle
407-CL I	Strengthening piece for ratchet pawls
417-CL I	Take-up motion handle support
412-CL I	Beam latch
3000-4701	Flat steel brake circle
403-CL I	Steel brake wire
4779-CL I	Strengthening piece for brake
4729-CL I	Brake lever
5874-CL I	Brake turnbuckle
3000-5884	Brake spring
4789-CL I	Rod connecting brake treadle to brake lever
418-CL I	Iron-fitting for batten sword
4531-CL I	Treadle hooks (set of 6)

CAST-IRON

302-CL I	Plain wheel
303-CL I	Brake drum
308-CL I	Ratchet wheel
3000-5862	Crank
306-CL I	Ratchet wheel for take-up motion handle
307D-CL I	Ratchet pawl for cloth beam (short)
307LD-CL I	Ratchet pawl for cloth beam (long)

PLASTIC

1109-CL I	Stopper for brake treadle
-----------	---------------------------

CORD

7113-CL I	Upper roller cords (set of 2)
3000-7123	Lower roller cords (set of 4)
1035-0000	Loop cords for rollers (set of 6)
3500--7202	Cords connecting jacks to lams (with chain at one end) (set of 4) .
3500-7412	Cords connecting jacks to harnesses (set of 8)
3500-7312	Cords connecting lams to harnesses (set of 4)
3000-7523	Brake cord
3000-7011	Treadle cords (set of 12)
3718-CL I	Loop cords for stabilizing posts (set of 2)