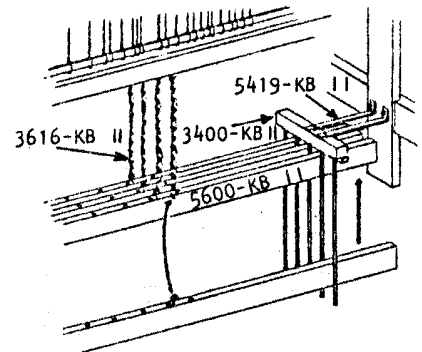
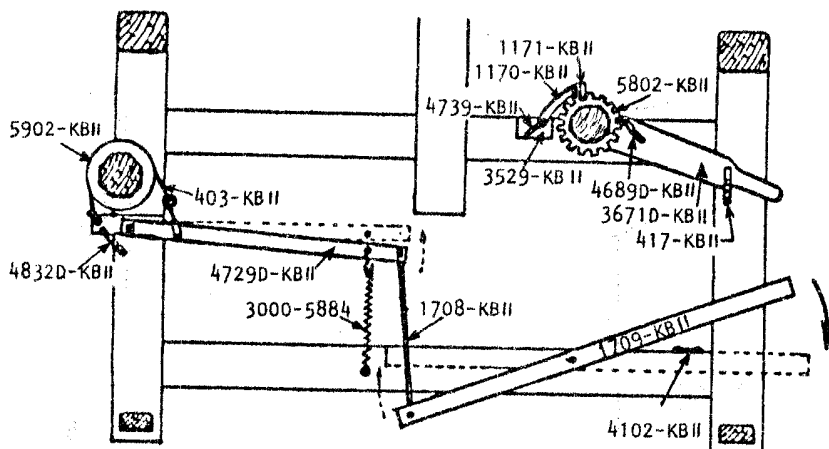
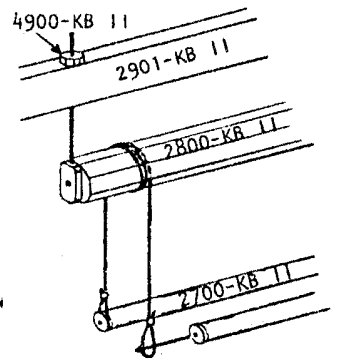
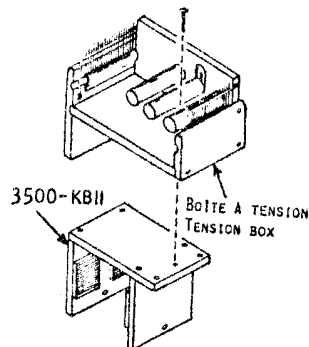
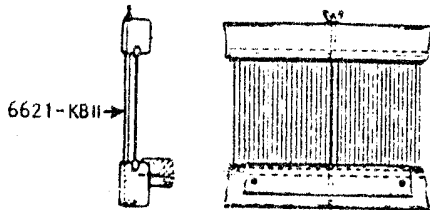
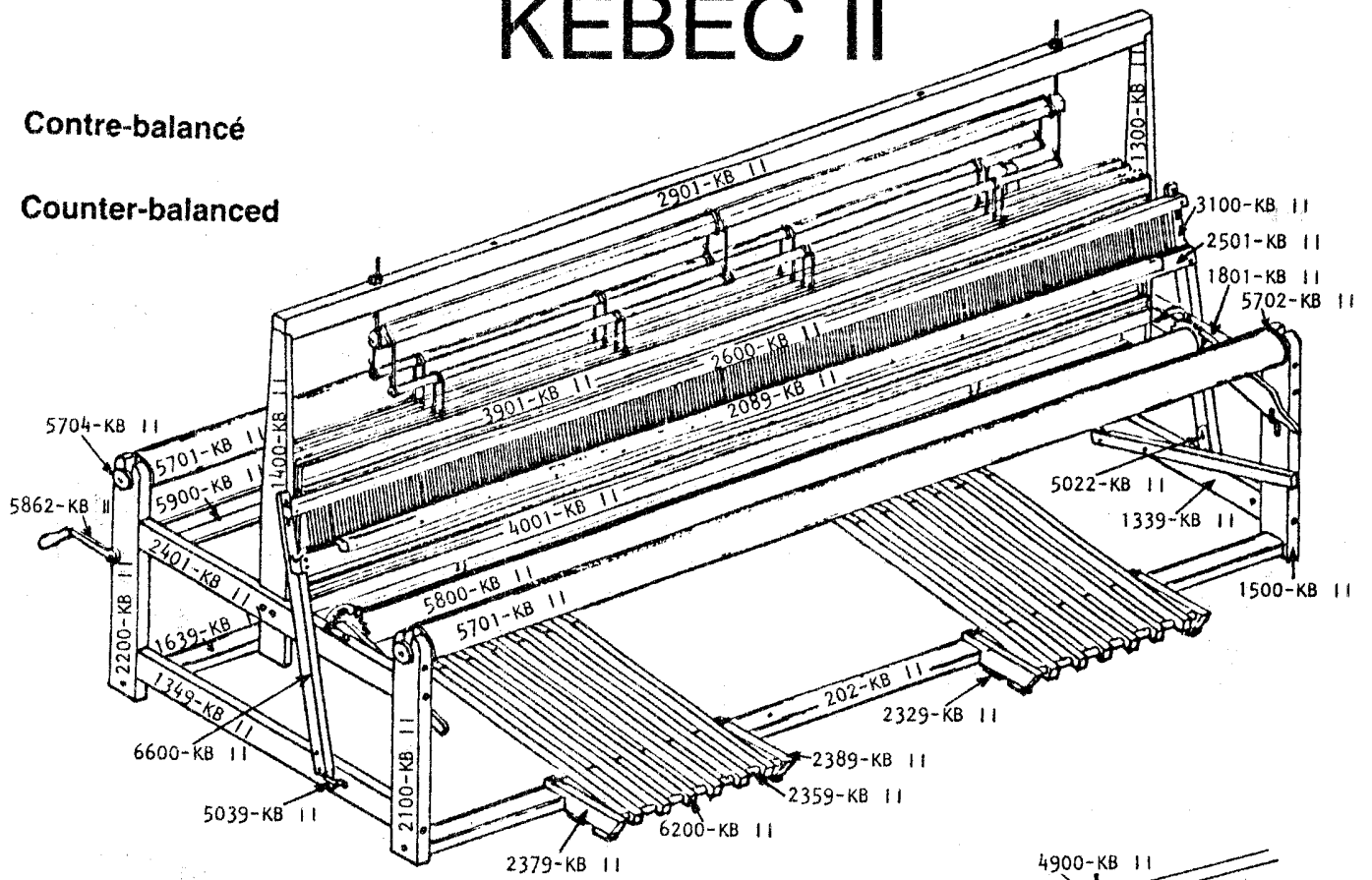


KEBEC II

Contre-balancé

Counter-balanced



KEBEC II 4S Counter-Balance 100" or 120"

WOOD

1300-KB II	Right upright post (w/o lam support)
1400-KB II	Left upright post (w/o lam support)
2901-KB II	Upper cross-member
1500-KB II	Right front post
2100-KB II	Left front post
1600-KB II	Right back post. (w/o beam latch)
2200-KB II	Left back post (w/o beam latch)
1801-KB II	Right upper lateral cross-member (without latch)
2401-KB II	Left upper lateral cross-member (without latch)
1339-KB II	Right lower lateral cross-member(w/o strengthening) piece for batten sword)
1349-KB II	Left lower lateral cross-member(without. " ")
202-KB II	Treadle set cross-member
1639-KB II	Back cross-member
5701-KB II	Breast of thread beam (round)
5704-KB II	Round piece for breast or thread beam end
5800-KB II	Cloth beam w/ wheels & canvas apron
5900--KB II	Warp beam with wheels
3100-KB II	Right batten sword (w/ iron-fitting)
6600-KB II	Left batten sword (w/ iron-fitting)
2600-KB II	Batten handtree
2501-KB II	Batten sley
2089-KB II	Shuttle race
2800-KB II	Upper roller (with threaded rods)
2700-KB II	Lower roller (with metal pulleys)
4900-KB II	Screw to fix upper roller or jack support
3321-KB II	Jack support
3312-KB II	Jacks (pair, assembled)
3901-KB II	Harness upper part
4001-KB II	Harness lower part
5600-KB II	Floating lam
3400-KB II	Lam divider
2389-KB II	Right treadle set support
2379-KB II	Left treadle set support
6200-KB II	Treadle
259-KB II	Treadle spacer
2329-KB II	Treadle set board
3529-KB II	Board to center right ratchet pawls
3539-KB II	Board to center left, ratchet pawls
3871D-KB II	Right take-up motion handle with aluminum ratchet pawl
36716-KB II	Left take-up motion handle w/cast-iron ratchet pawl
1709-KB II	Brake treadle
3500-KB II	Tension box adapter

KEBEC II 4S Counter-Balance 100" or 120" (cont.)

METAL

442-KB II	Jack iron-fitting
421-KB II	Harness frame ends (pair)
4249-KB II	Spring clip for harness frame end
422-KB II	Heddle support
55-KB II	Spring hook for heddle support
423-KB II	Hook for heddle support
427-KB II	Hook for harness frame
66'21-KB II	Rod connecting center of batten handtree to batten slew
5022 -KB II	Iron-fitting for batten sword
5039-KB 11	Strengthening piece for batten sword
5419-KB II	Lam divider support
3616-KB II	Chain connecting lam to harness frame
4519-KB II	Treadle set axle rod
4439-KB II	Strengthening piece for take-up motion handle
4739-KB II	Strengthening piece for ratchet pawls
417-KB II	Take-up motion handle support
4319-KB II	Beam latch
403-KB II	Steel brake wire (specify the length of the wire)
4832D-KB II	Strengthening piece for brake (right)
48326-KB II	Strengthening piece for brake (left)
4729D-KB II	Brake lever (right)
47296-KB II	Brake lever (left)
6700-KB II	Brake spring (large)
3000-5884	Brake spring (small)
1708-KB II	Hod connecting brake treadle to brake lever
1003-0304	Treadle hooks (set of 6)

Cast-iron

5702-KB II	Plain wheel for round breast or thread beam
5905-KB II	Plain wheel for warp beam
5902-KB II	Brake drum
5802-KB II	Square toothed ratchet wheel
5862-KB II	Crank
4689D-KB II	Ratchet pawl for right take-up motion handle (aluminum)
46896-KB II	Ratchet pawl for left take-up motion handle
1170-KB II	Ratchet pawl for cloth beam(short,right)(aluminum)
2410-KB II	Ratchet, pawl, for cloth beam (short; left)
1171-KB II	Ratchet pawl for cloth beam(long,right)(aluminum)
2411-KB II	Ratchet pawl for. cloth beam (long, left)
4102-KB 11	Stopper for brake treadle

Plastic

1302-KB II	Beater bumper (upright post)
0342-6102	Peg locking the treadle hook

Cord

1036-0000	Loop cords for rollers (set of 11)
3921-KB II	Cords connecting ,lacks to harnesses (set of 8)
3931-KB II	Cords connecting lams to harnesses (set of 4)
3400-7011	Treadle cords (set of 12)